

- No Programming
- Excellent Corrosion Resistance
- Output | Pulse | Voltage | 4-20mA



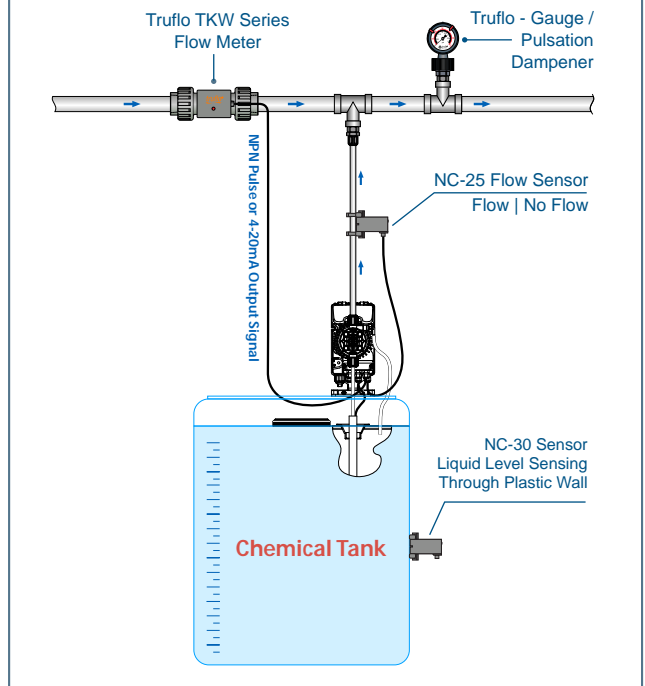
On Paddle Assembly

Zirconium Ceramic Rotor Pin & Bearings



SERIES : TKW
CONNECTION : SOC | NPT | Flange | Butt | DIN
SEALS : FPM | EPDM | FFKM

TYPICAL APPLICATION



FEATURES

- High Accuracy | $\pm 1.0\%$ of Full Scale
- NPN Pulse | Voltage | 4-20mA Output
- Corrosion Resistant | PVC | PP | PVDF*
- Low Cost Visual Indication
- Easy Installation | No Mounting Kits
- Compact Design
- Horizontal | Vertical Installation
- Size Range ½ - 4"
- Low Pressure Drop
- NEMA 4X Enclosure
- Suitable for Corrosive Environments
- True-Union Design ½ - 2" | Flanged 3" - 4"

* Note : CPVC Union Ends Available

SPECIFICATIONS

Fluid	Water or Liquid Chemicals Viscosity Range: 0.5-20 centistokes
Accuracy	> $\pm 1.0\%$ of F.S. @ 20°C (68°F) Repeatability $\pm 0.5\%$ of Full Scale
Max Flow Velocity	10 m/s max 32.8 ft/s max
Min Flow	0.3 m/s min. 0.98 ft/s min
Operating Pressure	150 psi Non-Shock
Turndown	33:1
Response time	Real Time
Material of Construction	Paddle: Tefzel® Body: PVC PP PVDF Shaft: Zirconium Ceramic Seals: FPM (Std) EPDM FFKM
Operating Temperature	PVC < 60 C (140 F) PP < 80°C (176°F) PVDF < 110°C (230°F)
Electronics	+ 50°C 122F
Protection Class	IP66 NEMA 4X
Approval	CE Rohs
Current Draw	60mA Max
Operating Voltage	10-30VDC

*Consult Factory for Details

PRODUCT SELECTION

EXAMPLE

TKW ----- 25 ----- PVC ----- E
 (1) (2) (3) (4)

1. SERIES

TKW = Paddle Wheel Flow Meter with Transmitter Output

2. PIPE SIZE

15 | (½") | 20 | (¾")
 25 | (1") | 40 | (1 ½")
 50 | (2") | 80 | (3") 100 | (4")

3. BODY MATERIAL

P - PVC
 PP - Polypropylene
 PF - PVDF

4. SEALS *

E - EPDM
 F - FFKM
 * FPM is Standard

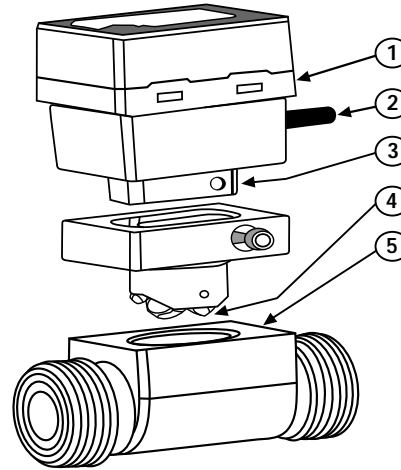
5. END CONNECTIONS

S - Sch 80 Soc D - DIN
 T - NPT F - ANSI 150 lb FLANGE
 B - SDR11 Butt

6. OUTPUTS

P - Frequency Pulse
 V - 0-5 Volts Output
 A - 4-20mA Output

PARTS TKW SERIES

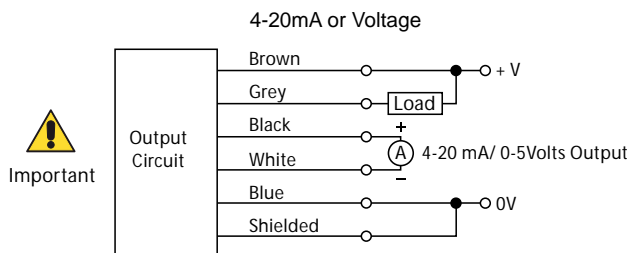


1. Flow Controller
2. Lead Wire
3. Hall Sensor
4. Paddle Wheel
5. Body (PVC | PP | PVDF)*

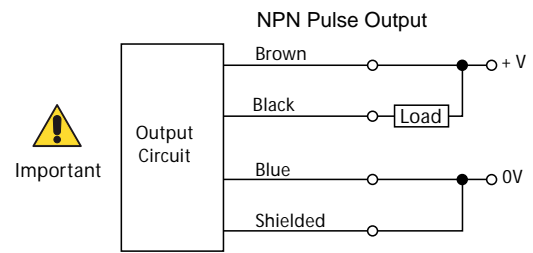


* CPVC Socket Ends Available

Wiring Diagram



Brown	12-24VDC	Black	+ 4-20mA / 0-5V Output
Blue	0V	White	- 4-20mA / 0-5V Output
Grey	NPN Paddle Pulse Output	Shielded	Ground



Brown	12-24VDC	Black	Pulse Output
Blue	0V	Shielded	Shielded Wire

DC Power Only

Application Note

Load resistance:

Current output : (4-20mA) : 120Ω max.

Voltage output : (0-5V) : 10KΩ min.

Range of Transmitter

TKW Series	DN15 ½"	DN20 ¾"	DN25 1"	DN40 1 ½"	DN50 2"
Range LPM GPM	0-30 LPM 0-8 GPM	0-60 LPM 0-16 GPM	0-90 LPM 0-24 GPM	0-200 LPM 0-53 GPM	0-330 LPM 0-87 GPM